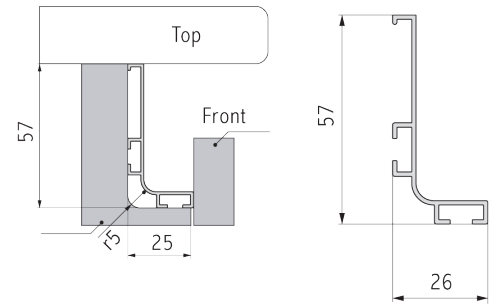


VERCELLI HANDLES

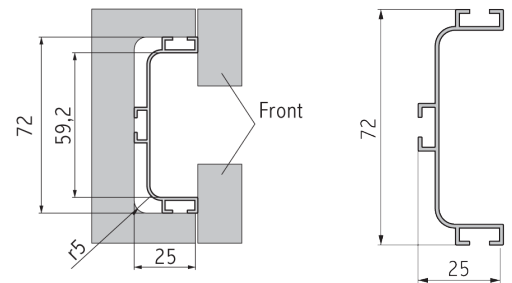
SPECIFICATIONS

VERCELLI TOP PROFILE



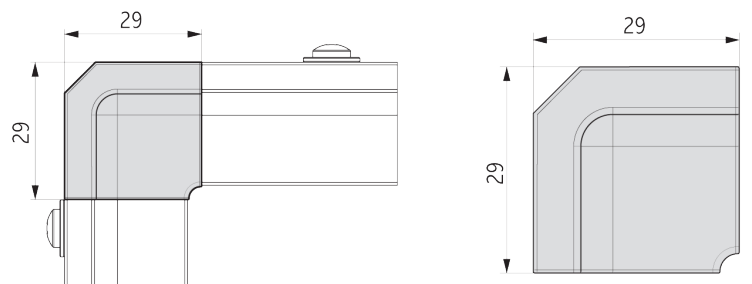
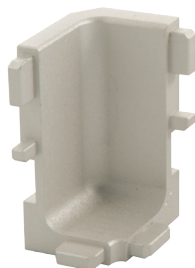
OVERALL	CODE
3600mm	1275 BN
FINISH	Brushed Nickel
MATERIAL	Aluminium

VERCELLI CENTRE PROFILE



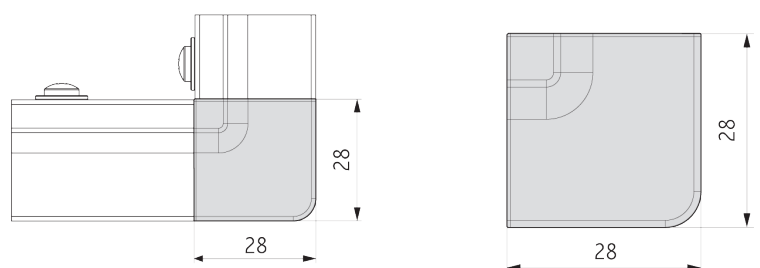
OVERALL	CODE
3600mm	1278 BN
FINISH	Brushed Nickel
MATERIAL	Aluminium

INTERNAL CORNER



OVERALL	CODE
35mm	1276 BN
FINISH	Brushed Nickel
MATERIAL	Aluminium

EXTERNAL CORNER



OVERALL	CODE
33mm	1277 BN
FINISH	Brushed Nickel
MATERIAL	Aluminium

VERCELLI HANDLES

SPECIFICATIONS

FIXING BRACKET

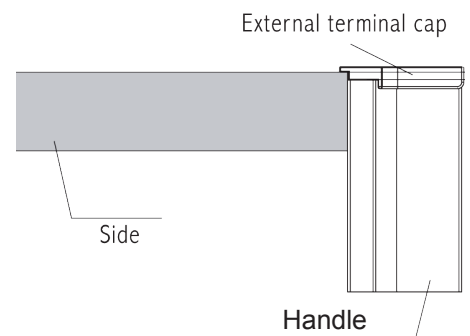


OVERALL	CODE
28mm	1280 ZP
FINISH	Zinc Plated
MATERIAL	Aluminium

VERCELLI EXTERNAL END CAP-CENTRE PROFILE



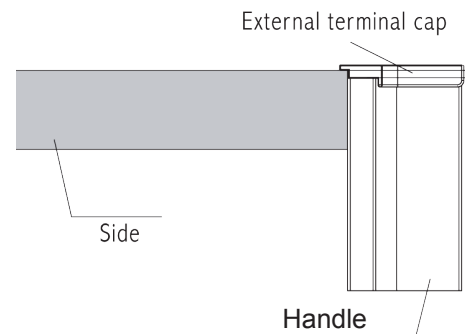
	CODE
	1274 BN
FINISH	Brushed Nickel
MATERIAL	Plastic



VERCELLI EXTERNAL END CAP-TOP PROFILE



	CODE
	1273 BN
FINISH	Brushed Nickel
MATERIAL	Plastic



VERCELLI CENTRE PROFILE